



Contractor Series Gooseneck Equipment Hauler



Artwork for illustration use only.

Standard Features

G.V.W.R.	20,000 lb.	G.A.W.R. (each axle)	10,000 lb.
Coupler	2 ⁵ / ₁₆ " Ball Std. Adjustable Pipe	Suspension	Dexter 20K
Safety Chains	3/8" Transport w/Grab Hook (2 ea.)	Tires	750 x 16 Loadrange D
Jack	(2) 12,000 lb. Drop Leg Jacks, Spring Loaded	Spare Tire Mount	Located in Gooseneck
Neck	12" I-Beam	Wheels	16" x 6" - Dual Wheels
Frame	12" I-Beam	Floor	Wolmanized 2" X 10'
Cross Members	3" I-Beam @ 24" centers	Lights	D.O.T. Recessed, Rubber Mounted
Torque Tube	6" Sch. 40 Pipe	Break-Away System	Meets D.O.T. Specifications
Side Rails	6" x 8.2 lb. Channel with 3/8" x 2 1/2" Rub Rail and Stake Pockets on 24" centers	Safety Marker Tape	Meets D.O.T. Specifications
Ramps	3/16" Floor Plate, Double Hinged on 1/2" Links, ramps are level with deck when folded	Electrical	6-Way Insulated Cable
Axes	(2) Dexter 10,000 lb. Dual Wheel Electric Brake Axles with Oil Bath	Finish (prep)	White Phosphorus Washed, Primed 100% Complete with PPG VAP904
		Paint	Exterior (2) Coat System, PPG Industrial Coating, High Grade Finish





Contractor Series Gooseneck Equipment Hauler

...Call for Pricing

Trailers:

- 20' Deck with 5' Dovetail
- 25' Deck with 5' Dovetail
- 27' Deck with 5' Dovetail**
- 30' Deck with 5' Dovetail**
- 35' Deck with 5' Dovetail**

Additional Upgrades:

- 19 lb. I-beam (per trailer foot)
- 22 lb. I-beam (per trailer foot)
- 26 lb. I-beam (per trailer foot)
- 16" Cross Member Centers(PTF)
- Pierced Beam

Axle Upgrades:

- 10K Vac/Hyd Drum
- 10K Vac/Hyd Disc.....
- 12K Electric
- 12K Vac/Hyd Drum.....
- 12K Vac/Hyd Disc.....
- 12K Air (1 ABS)
- 15K Electric***.....
- 15K Vac/Hyd Drum***
- 15K Air (1 ABS)***
- Hutch Suspension
- Electric/Hydraulic Kit

- Phillip's Wiring Harness
- 25K 2-Speed Jacks
- Mid-Turn Signals
- LED Package
- Additional Ramps (Per)
- Tread Plate over Ramps (2)
- Spring Assisted Ramps (2)
- Floor Tie-Downs (each)
- D-Rings (each)
- Toolbox 18x18x36
- Toolbox 18x18x48
- Toolbox 18x18x60
- Deck over Neck (8' x 102")

Tire & Wheel Upgrades:

- (8) 10 Ply Bias
- (8) 10 Ply Radial
- (8) 14 Ply Radial
- Spare 8 Ply Bias
- Spare 10 Ply Bias
- Spare 10 Ply Radial
- Spare 14 Ply Radial
- Spare 215x75Rx17.5 16 Ply

Apitong Decking.....Call for Pricing

** 12x19 lb. Beam Standard

*** 15K Includes (8) 215x75R 17.5 - 16 Ply Tires

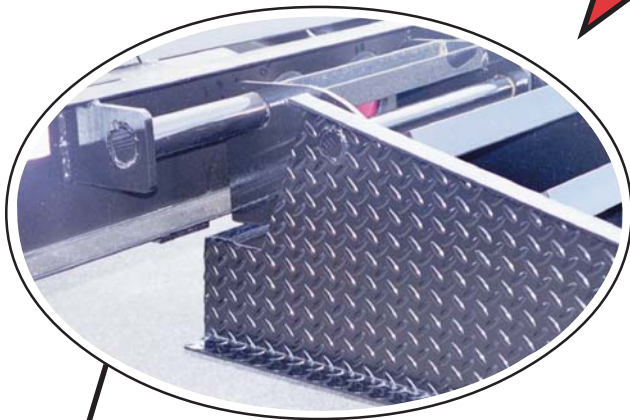
Prices Subject to Change Without Notice

F.O.B. San Antonio, TX.

The bitterness of poor quality remains long after the sweetness of low price disappears.



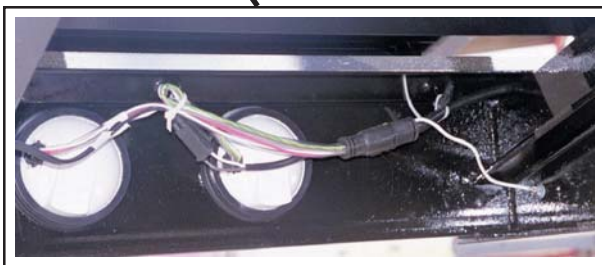
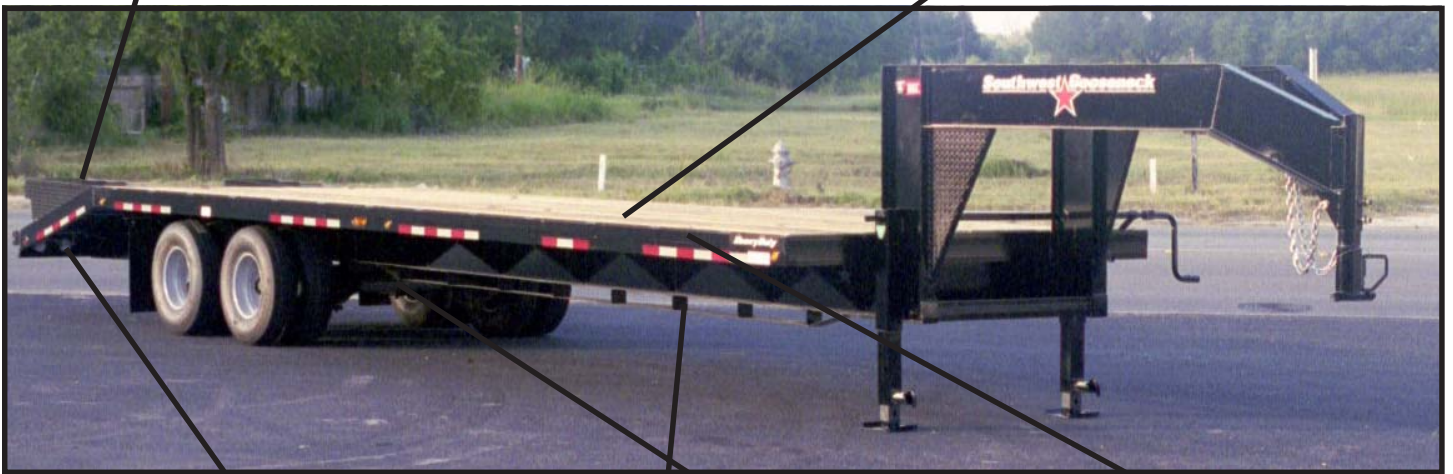
Southwest Gooseneck



Intergrated Ramp Support



Flatbed Tie down (optional)



Phillips Sta-Dry Wire Harness



Combination Stake Pockets & D-Rings (optional)



3" Mini I-beam crossmember
3/16" solid gusset with 1" bend



Dexter axles with 3" heavy duty rubber bushed suspension



ELECTRICAL Tips and Diagrams

Wire Installation Tips

By law, trailer lighting must be connected into the tow vehicle's wiring system to provide trailer running lights, turn signals and brake lights. This is accomplished by tapping into the tow vehicle's harness power to the trailer wiring system. Connectors are used between the two to allow disengagement when not towing.

Connectors

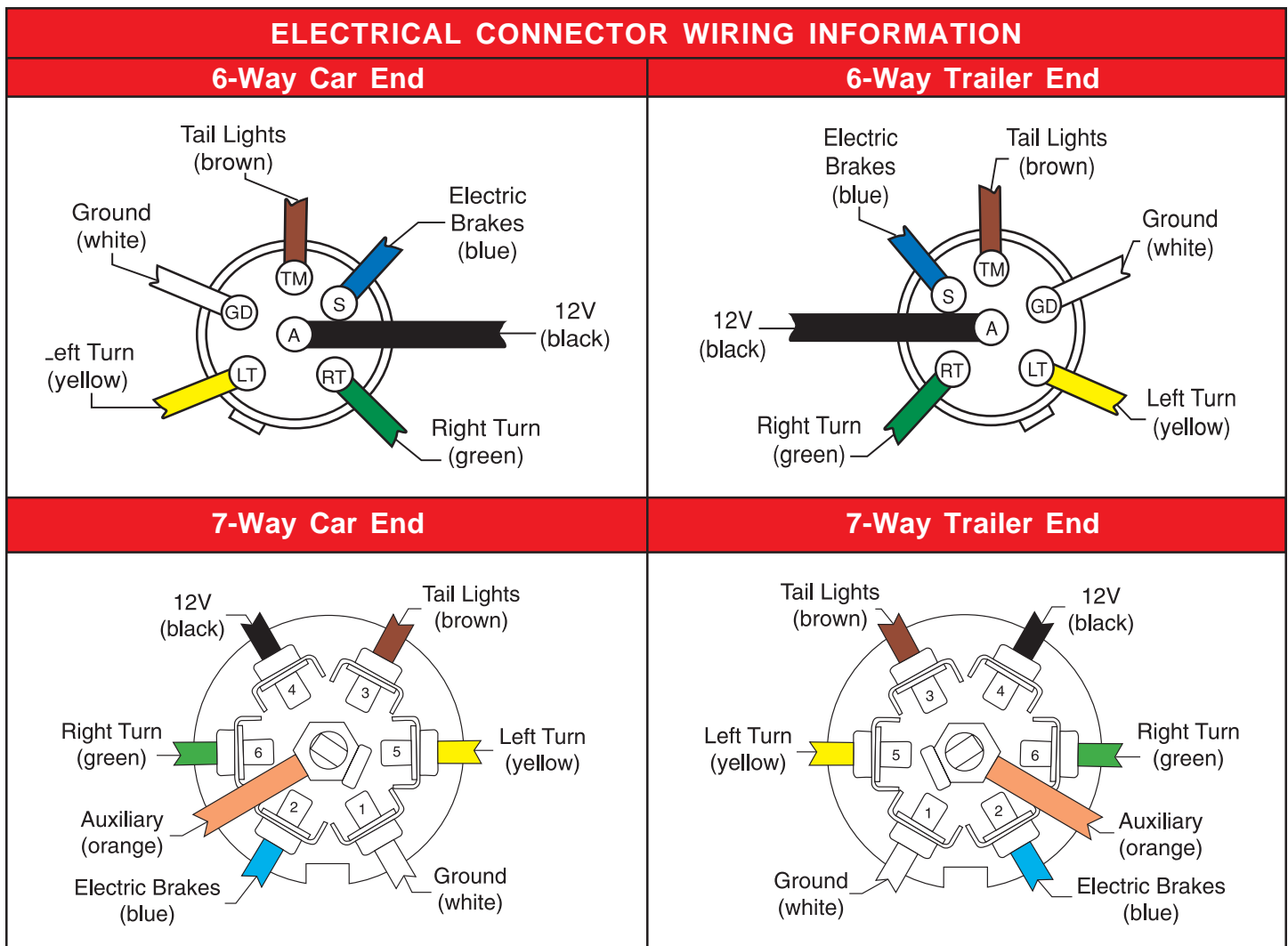
Various styles of connectors are available with four to seven pins to allow transfer of power for the lighting as well as auxiliary functions such as electric trailer brake control, backup lights, etc. Choose a connector that has the required number of pins for the functions required. The male end is mounted on the vehicle side and the female end on the trailer side.

6 Way Connectors

Round 1 1/4" diameter metal conductors are available that allow 1 or 2 additional functions such as back up lights and electric brakes.

7 Way Connectors

Additional pins for auxiliary power, trailer battery charging, etc. are available using larger 2" diameter, round connectors.



The bitterness of poor quality remains long after the sweetness of low price disappears.

Note: 6 way connectors: The black (12V) and Blue (Electric Brakes) may be reversed to suit trailer. Horse Trailers may use the center pin for 12V, R.V. trailers use the center for Electric Brakes as (shown).

