



Single Tandem Gooseneck Equipment Hauler



Artwork for illustration use only.

Standard Features

| | | | |
|----------------------|---|-----------------------------|---|
| GVWR. | 14,000lb. | G.A.W.R. (each axle) | 5,560 lb. |
| Coupler | 2 ⁵ / ₁₆ " Ball Std. Adjustable Pipe | Suspension | Slipper Spring |
| Safety Chains | ³ / ₈ " Transport w/Grab Hook (2 ea.) | Tires | 750 x 16 Loadrange E |
| Jack | (1) 12,000 lb. Drop Leg Jack, Spring Loaded | Spare Tire Mount | Located in Gooseneck |
| Neck | 12" I-Beam | Wheels | 16" x 6" - Modular Wheels |
| Frame | 12" I-Beam | Floor | Wolmanized 2" x 10" |
| Cross Members | 3" I-Beam @ 24" centers | Lights | D.O.T. Steel Armored |
| Side Rails | 5" x 6.7 lb. Channel with ¹ / ₄ " x 2" Rub Rail and Stake Pockets on 24" centers | Break-Away System | Meets D.O.T. Specifications |
| Ramps | ³ / ₁₆ " Floor Plate, Double Hinged on ¹ / ₂ " Links, ramps are level with deck when folded | Safety Marker Tape | Meets D.O.T. Specifications |
| Axles | Dexter 7,000 lb. Single Wheel Electric Brake Axles | Electrical | 6-Way Insulated Cable |
| | | Finish (prep) | White Phosphorus Washed, Primed 100% Complete with PPG VAP904 |
| | | Paint | Exterior (2) Coat System, PPG Industrial Coating, High Grade Finish |





Single Tandem Gooseneck Equipment Hauler

...Call for Pricing

Trailers

20' Deck with 5' Dovetail
25' Deck with 5' Dovetail

Axle Upgrade

8K Electric (Oil Bath)

Tire & Wheel Upgrades

(4) 10 Ply Radial
(4) 14 Ply Radial
Spare 10 Ply Bias
Spare 10 Ply Radial
Spare 14 Ply Radial

Additional Upgrades

Recessed Chain Tie Downs (each)
D-Rings (each)
Mid-Turn Signals
Additional Ramps (per)
Tread Plate over Ramps (2)
Spring Assisted Ramps (2)
Second Jack
Toolbox 18x18x36
Toolbox 18x18x48
Toolbox 18x18x60

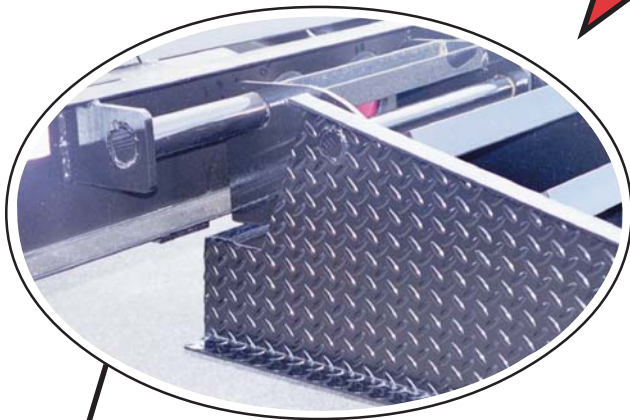
Prices Subject to Change Without Notice

F.O.B. San Antonio, TX.

The bitterness of poor quality remains long after the sweetness of low price disappears.



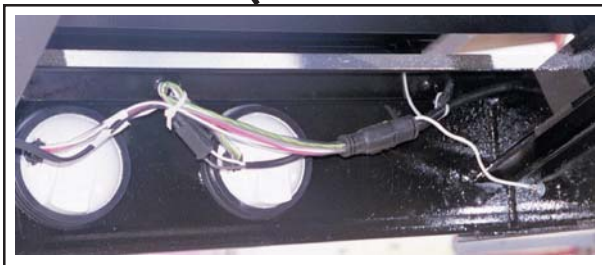
Southwest Gooseneck



Intergrated Ramp Support



Flatbed Tie down (optional)



Phillips Sta-Dry Wire Harness



Combination Stake Pockets & D-Rings (optional)



3" Mini I-beam crossmember
3/16" solid gusset with 1" bend



Dexter axles with 3" heavy duty rubber bushed suspension



ELECTRICAL Tips and Diagrams

Wire Installation Tips

By law, trailer lighting must be connected into the tow vehicle's wiring system to provide trailer running lights, turn signals and brake lights. This is accomplished by tapping into the tow vehicle's harness power to the trailer wiring system. Connectors are used between the two to allow disengagement when not towing.

Connectors

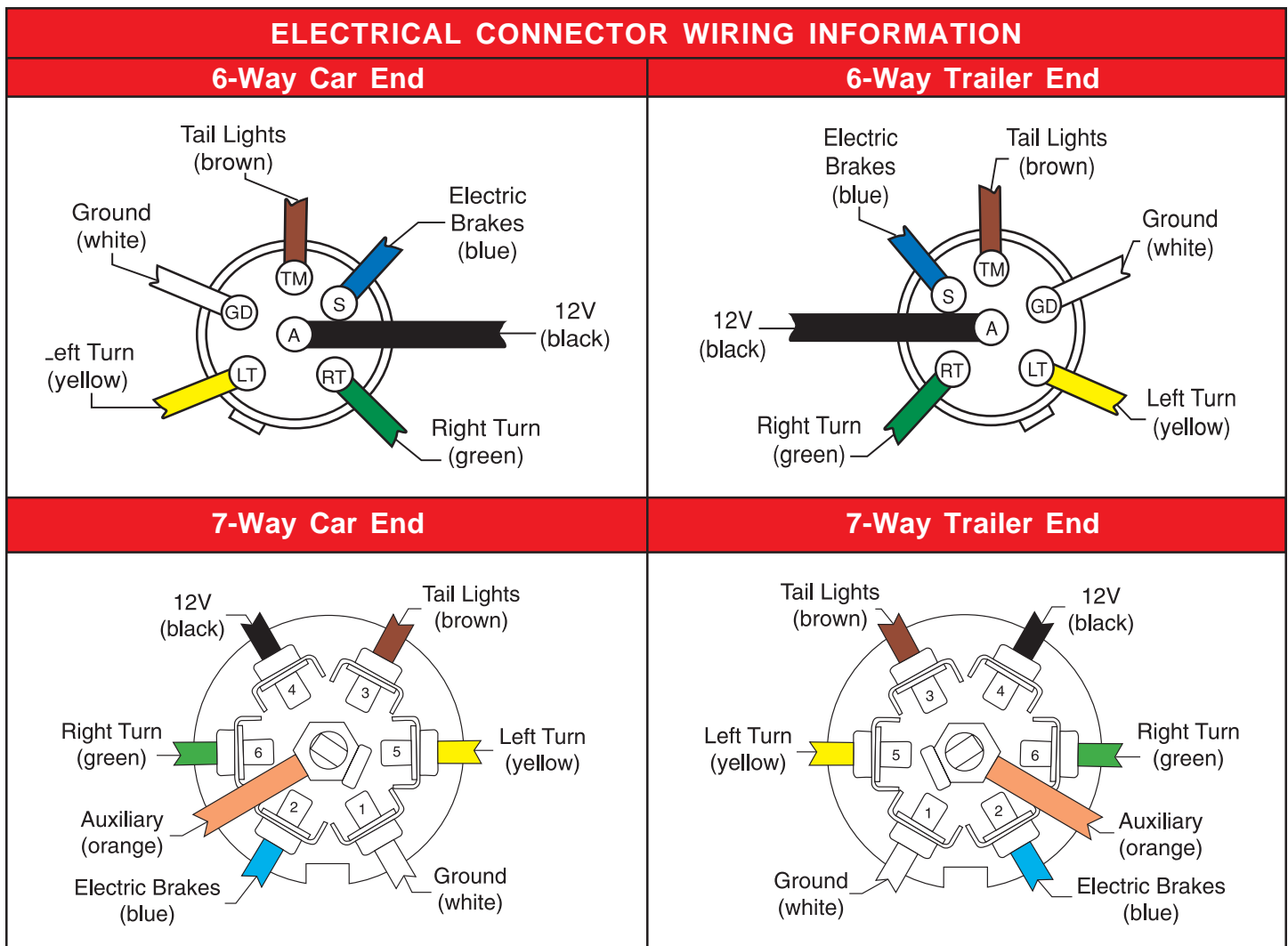
Various styles of connectors are available with four to seven pins to allow transfer of power for the lighting as well as auxiliary functions such as electric trailer brake control, backup lights, etc. Choose a connector that has the required number of pins for the functions required. The male end is mounted on the vehicle side and the female end on the trailer side.

6 Way Connectors

Round 1 1/4" diameter metal conductors are available that allow 1 or 2 additional functions such as back up lights and electric brakes.

7 Way Connectors

Additional pins for auxiliary power, trailer battery charging, etc. are available using larger 2" diameter, round connectors.



The bitterness of poor quality remains long after the sweetness of low price disappears.

Note: 6 way connectors: The black (12V) and Blue (Electric Brakes) may be reversed to suit trailer. Horse Trailers may use the center pin for 12V, R.V. trailers use the center for Electric Brakes as (shown).

